

# ONYX NOVA 90

Enhance the aesthetics and natural lighting of your home with our Nova series, featuring direct glazed glass that creates a seamless and elegant design. Take a step further with our durable onyx pigmented fiberglass skin that gives you the contemporary look of a black door, but eliminates the need for frequent maintenance or painting.

**DRB1S**

**DRB1S80**

**SLB1S**

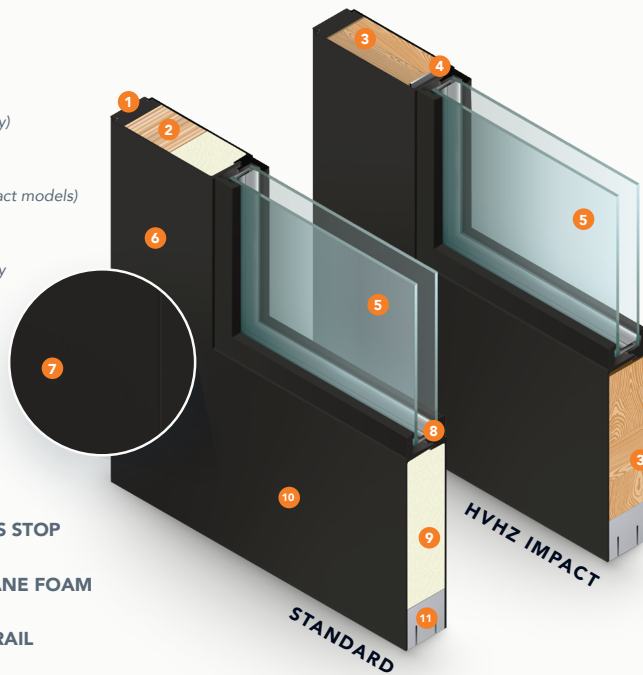
**SLB1S80**

**DIRECT GLAZED**  
6'8" or 8'0" FULL LITE DOOR

**AVAILABLE WIDTHS**  
2'0" • 2'6" • 2'8" • 2'10" • 3'0"

## FEATURES & BENEFITS

- 1 **COMPOSITE STILE CAP**
- 2 **FULL LENGTH LVL**  
*(Hinge & Strike side, for extra rigidity)*
- 3 **WOOD BLOCKING**  
*(For structural support in HVHZ Impact models)*
- 4 **STEEL BEAM**  
*(Hinge & Strike side, for extra rigidity in all 8'0" and HVHZ Impact models)*
- 5 **INSULATED 1" GLASS**
- 6 **ONYX COMPRESSION MOLDED FIBERGLASS SKIN**
- 7 **BRUSH FINISHED TEXTURE**
- 8 **INTEGRALLY MOLDED GLASS STOP**
- 9 **HIGH DENSITY POLYURETHANE FOAM**
- 10 **ADA COMPLIANT BOTTOM RAIL**
- 11 **COMPOSITE BOTTOM RAIL**



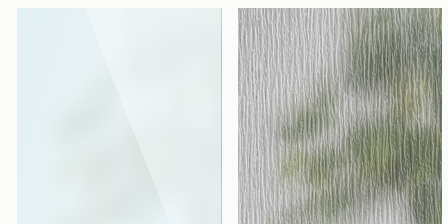
## GLASS OPTIONS\*

*Also available in HVHZ Impact Glass*



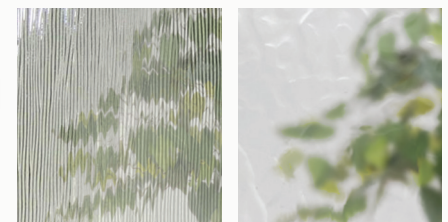
**LowE 272** (Impact LowE 366)  
Privacy Rating 1

**MINI BLIND**



**TRANSLUCENT**  
Privacy Rating 10

**RAIN**  
Privacy Rating 9



**CHORD**  
Privacy Rating 8

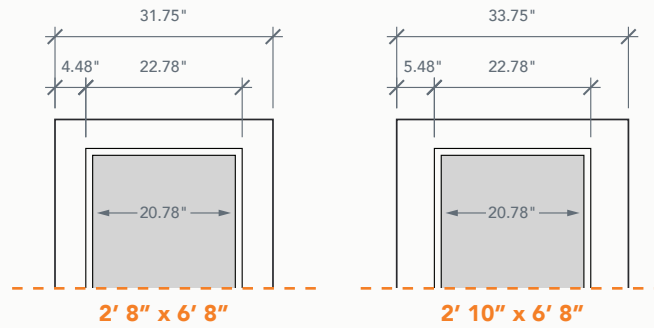
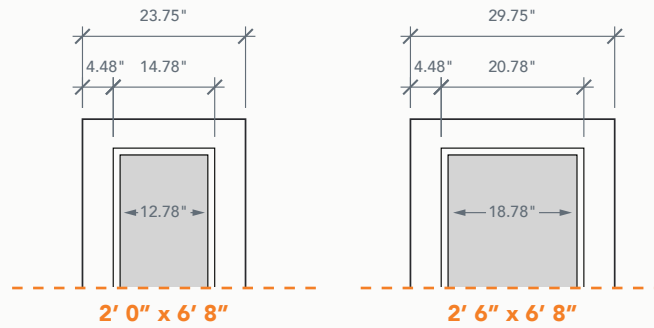
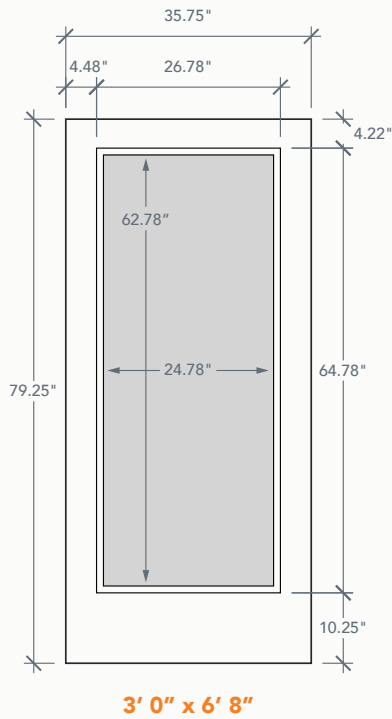
**FLEMISH**  
Privacy Rating 5

*\*Approximate representations, actual product may vary.*

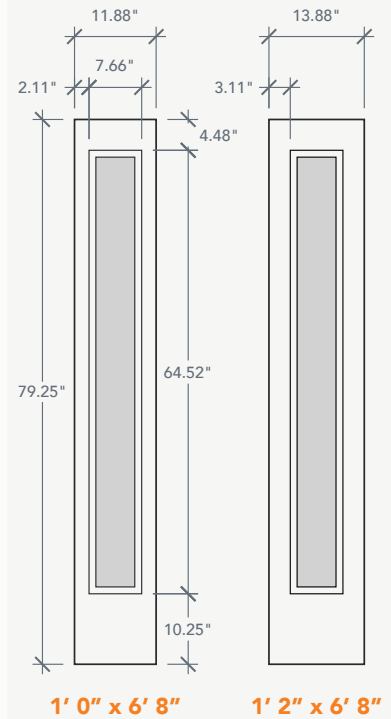
TO SEE THE FULL FLORIDA BUILDING CODE APPROVAL DOCUMENT,  
VISIT [WWW.FLORIDABUILDING.ORG](http://WWW.FLORIDABUILDING.ORG). THE NOVA 90 FL# IS 28093, 28095 & 29714.



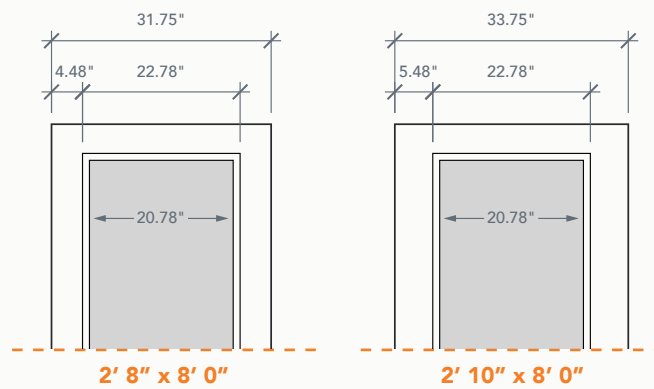
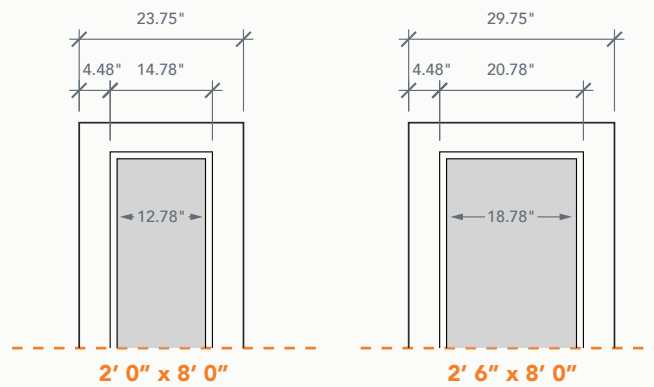
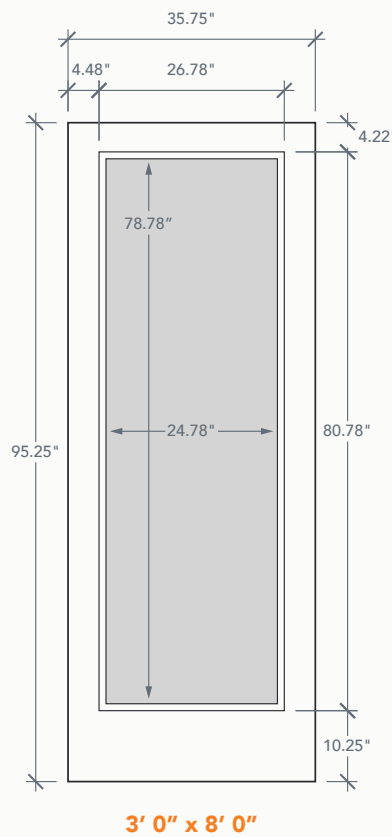
**6'8" NOVA SERIES - DRB1S**



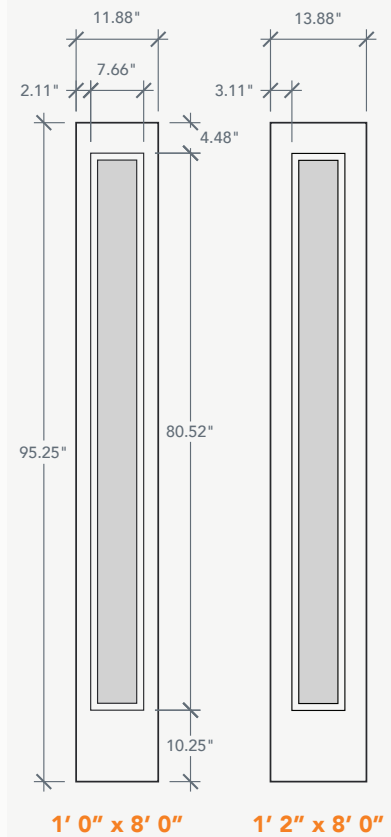
**6'8" NOVA 90 - SLB1S**



**8'0" NOVA SERIES - DRB1S80**



**8'0" NOVA 90 - SLB1S80**



**ONYX NOVA 90**

**DIRECT GLAZED**  
6'8" or 8'0" FULL LITE DOOR

**AVAILABLE WIDTHS**  
2'0" • 2'6" • 2'8" • 2'10" • 3'0"