



DRB1E **DRB1E80** **SLB1E** **SLB1E80**

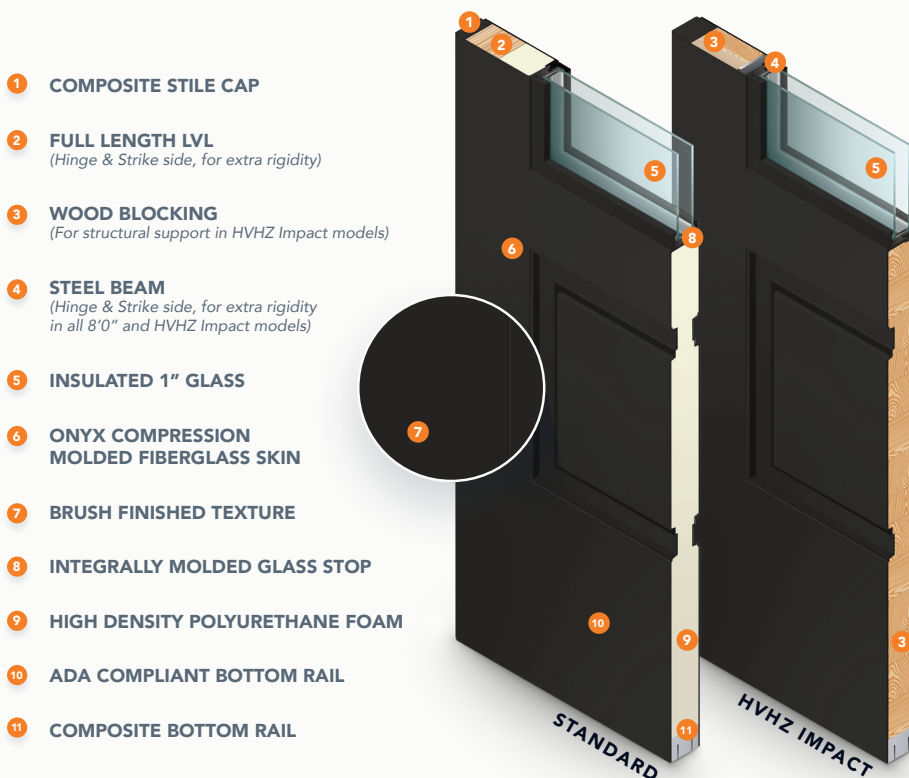
DIRECT GLAZED
6'8" or 8'0" 3/4 LITE DOOR

AVAILABLE WIDTHS
2'6" • 2'8" • 2'10" • 3'0"

ONYX NOVA 90 3/4 LITE

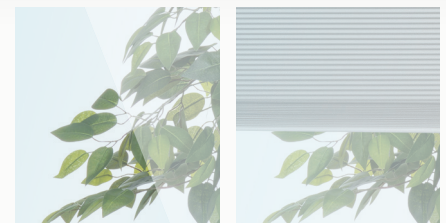
Enhance the aesthetics and natural lighting of your home with our Nova series, featuring direct glazed glass that creates a seamless and elegant design. Take a step further with our durable onyx pigmented fiberglass skin that gives you the contemporary look of a black door, but eliminates the need for frequent maintenance or painting.

FEATURES & BENEFITS



GLASS OPTIONS*

Also available in HVHZ Impact Glass



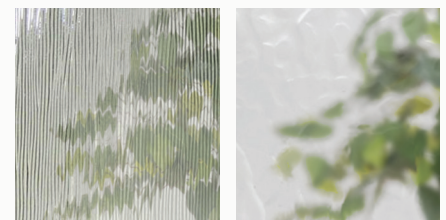
LowE 272 (Impact LowE 366)
Privacy Rating 1

MINI BLIND



TRANSLUCENT
Privacy Rating 10

RAIN
Privacy Rating 9



CHORD
Privacy Rating 8

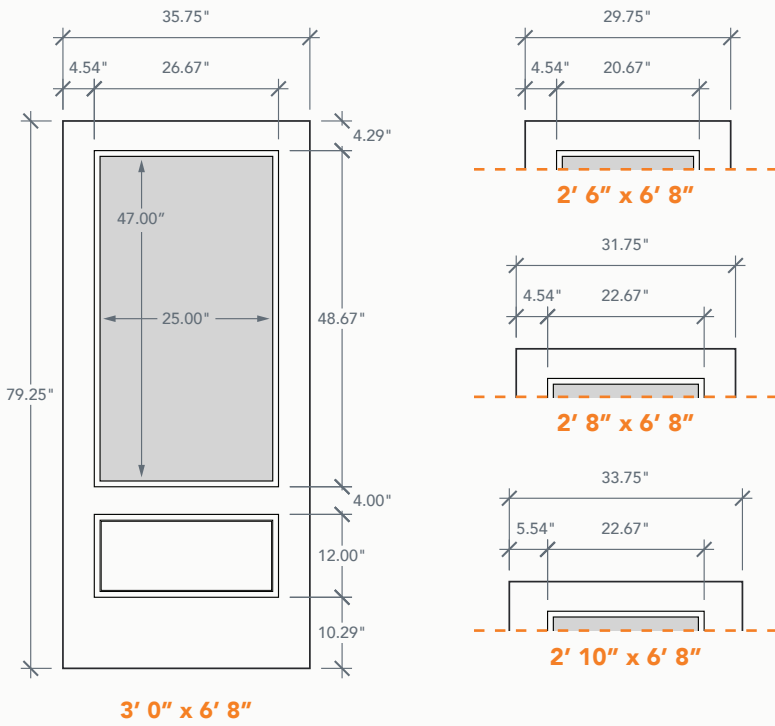
FLEMISH
Privacy Rating 5

**Approximate representations, actual product may vary.*

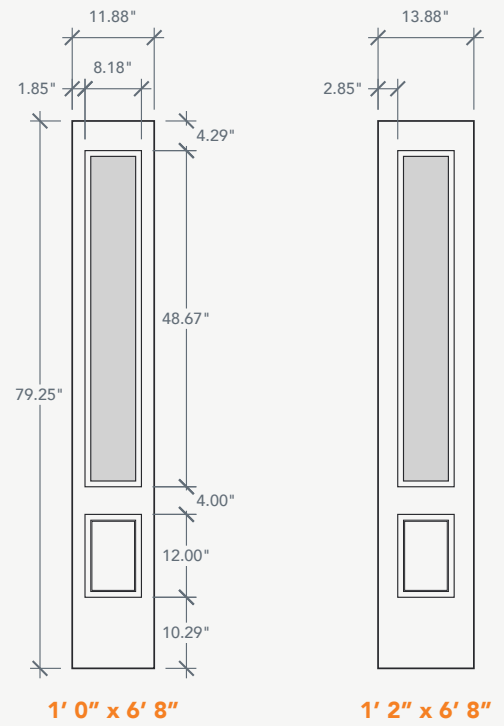
TO SEE THE FULL FLORIDA BUILDING CODE APPROVAL DOCUMENT,
VISIT WWW.FLORIDABUILDING.ORG. THE NOVA 90 FL# IS 28093, 28095 & 29714.



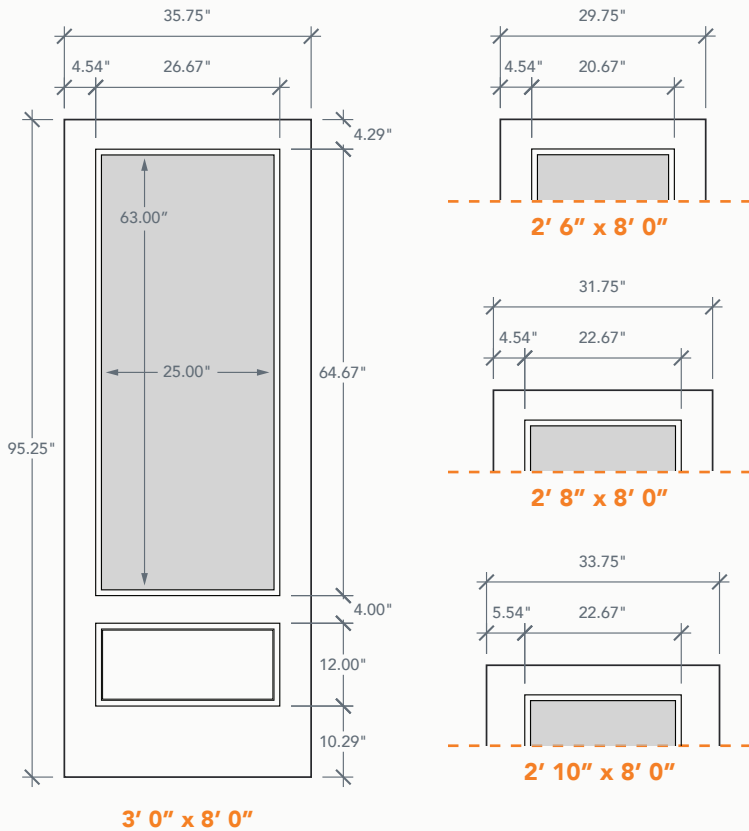
6'8" NOVA SERIES - DRB1E



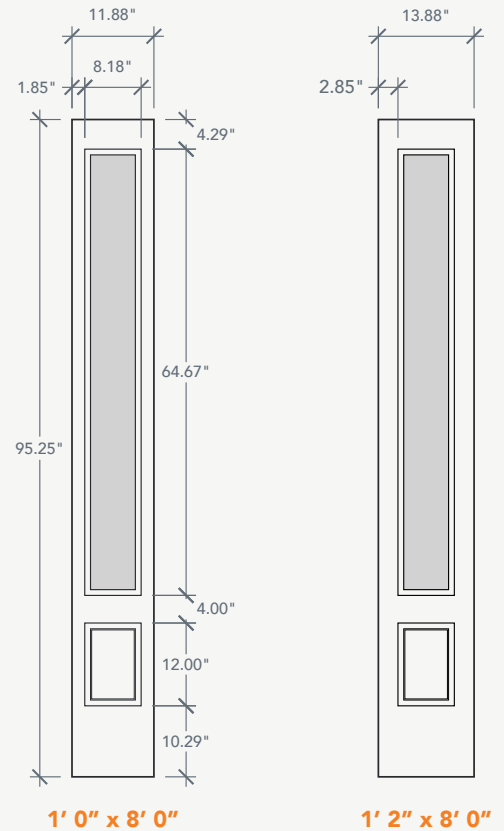
6'8" NOVA SERIES - SLB1E



8'0" NOVA SERIES - DRB1E80



8'0" NOVA SERIES - SLB1E80



ONYX NOVA 90 3/4 LITE

DIRECT GLAZED
6'8" or 8'0" 3/4 LITE DOOR

AVAILABLE WIDTHS
2'6" • 2'8" • 2'10" • 3'0"